

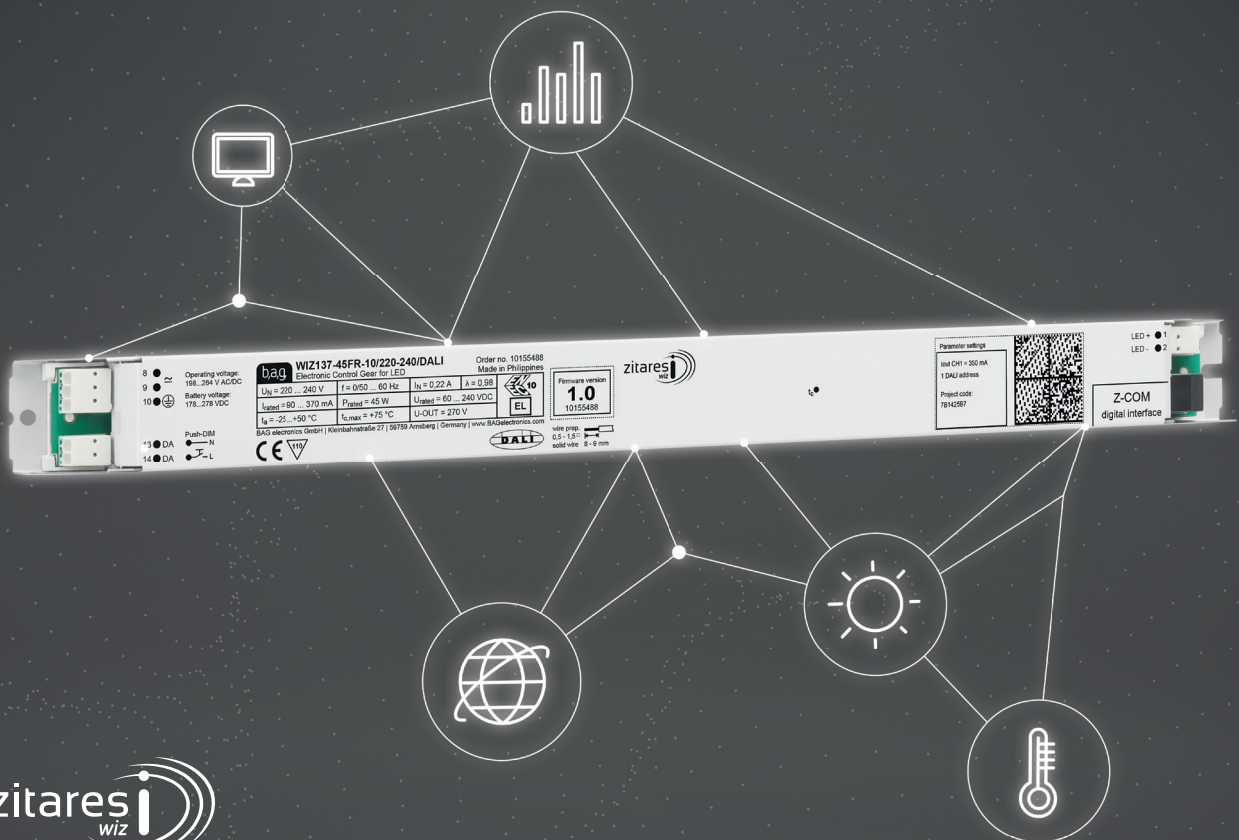
b,a,g,

products for  
excellent lighting.



## LET THERE BE CONNECTED LIGHT!

ZITARES *wiz* – the genius behind  
and beyond lighting



# ZITARES *wiz* – let there be connected light

## The genius behind and beyond lighting

### The digitalisation of light – fit for the future with ZITARES *wiz*

Mega-trends such as digitalisation and the Internet of Things will fundamentally change lighting technology. System solutions offering intelligent control, connectivity and flexibility will be part of the future. This future begins today – LED control gear units from the ZITARES *wiz* series provide you with all options for intelligent and networked lighting systems. Together with the new EXELIQO software and further components, ZITARES *wiz* creates a future-proof complete system.

**A digital interface. With built-in future.**

With the digital Z-COM interface and an open data protocol, the electronic control gear unit offers crucial advantages: flexibly dock on communication modules and sensors according to requirements. The intelligence is decentralised – each luminaire becomes an intelligent node within the building network. In this way the lighting simultaneously creates a network for collecting relevant system data from rooms and buildings.

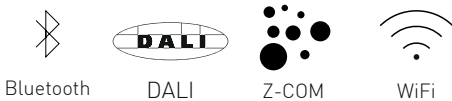
**Intelligent light. With immediate availability.**

Another advantage of intelligent networking: the high speed of bidirectional communication between the ECG and connected components provides high light comfort – completely without noticeable delay times. What if existing lighting installations need to be refurbished? Nothing is simpler. You can upgrade existing luminaires with ZITARES *wiz* and the Bluetooth communication module to simply make them network-capable.

**Good becomes better.**

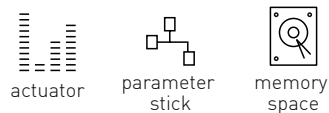
ZITARES *wiz* is the consistent further development of the ZITARES intelligent series. You can implement individual configurations using the DALI-2 standard and the latest commands. The ECGs also provide sufficient memory capacity for storing your system data, e.g. for continuous operating data recording.

#### Three future topics – one solution: ZITARES *wiz*



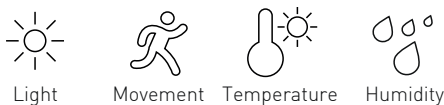
##### Connectivity

The new openness: connect the electronic control gear unit with networks and existing ecosystems according to your needs - via DALI or through the open Z-COM interface.



##### Open Source Platform

Maximum flexibility: the Z-COM interface as an open API provides you with complete flexibility. The ECG hardware features sufficient memory space for individual data management and data processing.

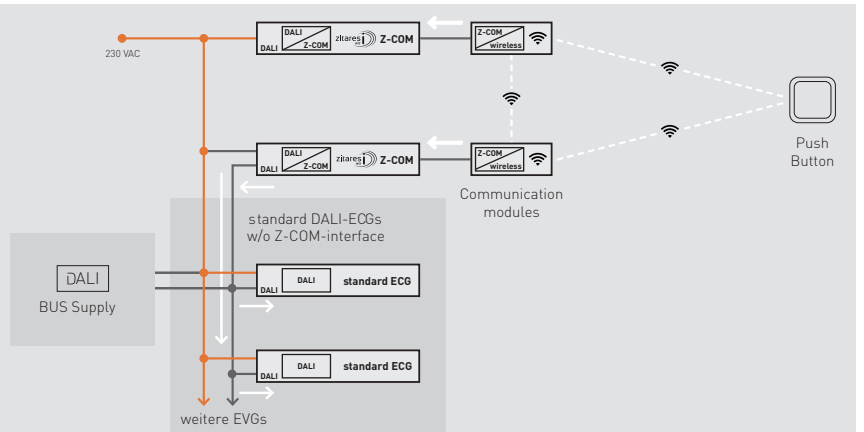


##### Decentralised Intelligence

Intelligent light: ZITARES *wiz* transforms each luminaire into an individual network node.

#### The gateway function – wirelessly controlling DALI systems

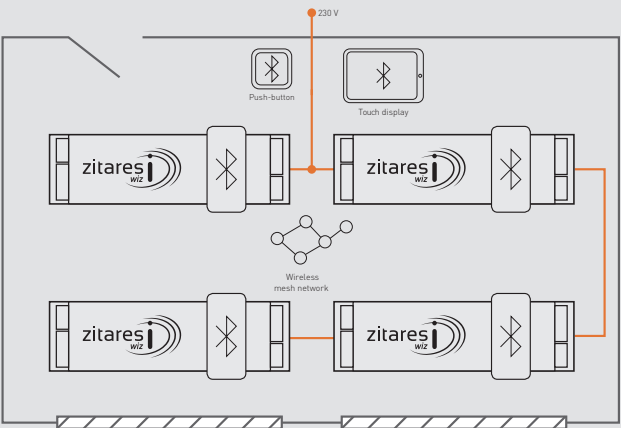
ZITARES *wiz* converts Z-COM commands to DALI commands with an integrated gateway in the ECG. The wireless control commands therefore also reach a standard DALI ECG, whether this is a system expansion or new installation.



# ZITARES *wiz* - use cases

## Main applications for combined or individual use

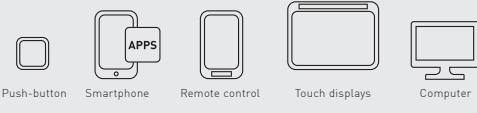
### Wireless communication – cost-efficiently implementing refurbishments



**Use case „Refurbishment & renovation“**

- No additional wiring necessary for dimming options
- Each luminaire is equipped with ZITARES *wiz* and the Bluetooth communication module connected with the ECG
- No master luminaire or central control unit required
- Manual and wireless control of the lighting installation
  - via push-button
  - smartphone or tablet

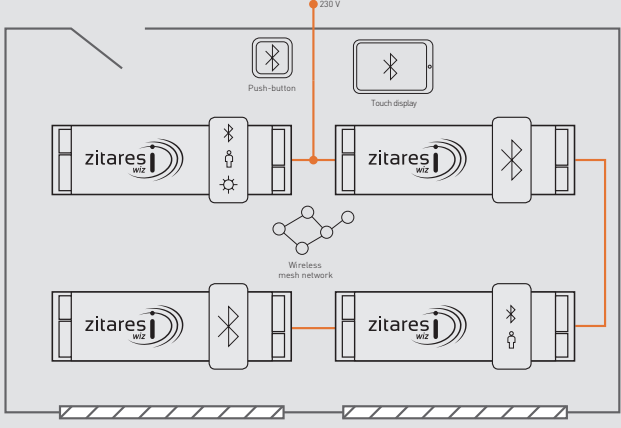
Control elements for wireless control of the lighting installation



Push-button   Smartphone   Remote control   Touch displays   Computer

Wireless communication module  
Connected with the Z-COM interface of ZITARES *wiz*

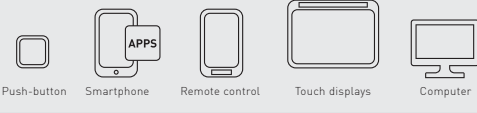
### Saving energy – as flexible as you ever wanted



**Use case „Energy saving“**

- No additional wiring necessary for dimming options
- Each luminaire is equipped with ZITARES *wiz* and the Bluetooth communication module
- Selected luminaires are equipped with the light- and presence sensor
- No master luminaire or central control unit required
- Simple, wireless modification of parameter settings
- Functions:
  - Daylight-dependent control (one group)
  - Automatic switching via sensor technology
  - Manual control of the lighting installation is possible

Control elements for wireless control of the lighting installation



Push-button   Smartphone   Remote control   Touch displays   Computer

Sensor connected with the Z-COM interface of ZITARES *wiz*

Light sensor

Presence sensors

Wireless communication, e.g. BLE

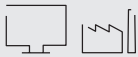

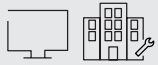



## EXELIQO – this is how simple programming can be A real dream team

Hardware and software perfectly matched: ZITARES *wiz* and the EXELIQO software come together to create a high-performance unit. Implementing configurations, controlling ECG functions and modifying settings – the software guides you quickly and simply to the desired result, thanks to the intuitive operation.

In this way you can precisely set the output current for example, implement temperature-dependent control of the output current or initiate compensation of the LED degradation (CLO) and measurement of the ECG temperature. Always included: an open and future-proof system architecture.

In future EXELIQO will include all existing and upcoming BAG software products, ranging from ECG and LMS component parameterisation and DALI system programming to complete HCL system configuration.

Luminaire life cycle and essential steps	Luminaire production	Installation	Maintenance	Operation
Software options during the individual life cycles	Production	Electrical contractor	Building maintenance	Customer
	 <ul style="list-style-type: none"> <li>• Programming of BAG parameters and functions</li> <li>• Programming of DALI parameters</li> </ul>	 <ul style="list-style-type: none"> <li>• Programming of BAG parameters and functions</li> <li>• Programming of DALI parameters</li> <li>• Error elimination</li> </ul>	 <ul style="list-style-type: none"> <li>• Monitoring of operating data</li> <li>• Warning-/alarm messages with abnormal operation</li> <li>• Project &amp; component infos</li> </ul>	 <ul style="list-style-type: none"> <li>• Energy monitoring as an information system</li> </ul>

One single software – all requirements: EXELIQO will combine all of today's and tomorrow's software products from BAG electronics in a complete solution.

# ZITARES *wiz* – ECG and components

## Technical parameters

### ECG Description WIZ137-45FR-10/220-240/DALI Programmable functions



### Order no. 10155488 non-SELV | Z-COM | DIM



### Performance characteristics

- Intelligent and DALI dimmable 1-channel ECG for constant current operation of LED modules
- Non-SELV topology: high output voltages for the flexible series connection of LED modules along with high efficiency
- Simple construction of a luminaire network; wireless
- Future-proof digital & open Z-COM interface
- Bluetooth receiver and motion sensor available as accessory for connection to Z-COM
- Gateway function to control additional DALI ECG with Bluetooth commands
- Advanced range of functions through individual adjustable features via software EXELIQO e.g. programming of output current and constant lumen output characteristic (CLO)
- Very high energy efficiency of up to 90 % at maximum output load
- Flicker-free and noise-free dimming in the range of 1 ... 100 % luminous flux
- Push-Dim function: dimming and switching via push-button, with memory function
- Conformance with international regulations, regarding safety and operation, electromagnetic compatibility and immunity to interference
- Nominal service lifetime with a failure rate 10%:  
50,000 h at  $t_c = t_{c,max}$

### General technical data

Mains voltage supply	
Rated voltage range	220 ... 240V
Rated frequency	0 / 50 ... 60 Hz
Max. admissible voltage range	198 ... 264V
Overvoltage protection	350VAC / 2 h
Battery operation	
Voltage range for continuous operation	198 ... 278VDC
Lowest limiting value (temporary)	176VDC / 0,5 h
Output data	
Total output power	max. 45 W
Output current	90 ... 370 mA
Output voltage	60 ... 240 V
Tolerance of output current	≤ +/- 5 %
Ripple of output current low Frequency	≤ +/- 2 %
Galvanic isolation output to mains, dimming and control output	yes; testing voltage 1,5 kV
Dimming operation	
Dimming input	DALI & Push-Dim
Dimming range luminous flux	1 ... 100 %
Dimming technology	Amplitude
Standby power with deactivated Z-Com interface	≤ 0,5W
Number of ECGs with push-dim operation	≤ 25
Z-COM interface	
Plug connector	RJ10
Max. output current / voltage	100 mA / 5 V
Galvanic isolation	yes, basis insulation

### Bluetooth communication module

Description Z-COM-10/L/BLE

Order no. 10167757

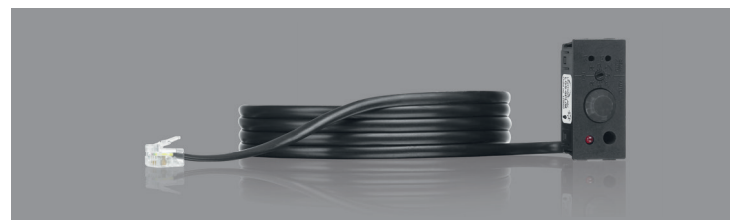


- The Bluetooth module together with ZITARES *wiz* enables wireless communication of your lighting system
- Embedded radio technology enables simple implementation into a CASAMBI control system – with complete compatibility of existing functions

### Presence & light sensor

Description Z-COM-10/M/PL

Order no. 10167758



- For direct connection to the ZITARES *wiz*
- Integrated light sensor and PIR sensor for presence detection
- Can be used in combination with BLE components

**b,a,g,**

products for  
excellent lighting.

**BAG electronics GmbH**

Kleinbahnstraße 27

59759 Arnsberg

Germany

Phone: +49 2932 9000 9800

Fax: +49 2932 9000 9796

Find your sales contacts:

[www.BAGelectronics.com](http://www.BAGelectronics.com)

[Info@BAGelectronics.com](mailto:Info@BAGelectronics.com)

Technical modifications reserved  
10166592 Flyer ZITARES w/z 18-05

